



tecniwell

JET-GROUTING, GROUTING AND DRILLING EQUIPMENT



GP9V / GP22V

VERTICAL GROUT PUMP

Overall dimensions and weight

	GP9V		GP22V	
Width	1020 mm		3'4"	
Length	1580 mm		5'2"	
Height	1875 mm		6'2"	
Weight	1050 Kg	2315 lb	1100 Kg	2425 lb



TECHNICAL FEATURES

Double effect piston / piston à double effet / Doppeleffekt Kolben

Max flow rate / débit maximale / maximale Durchflussrate

Max pressure rate / pression maximale / maximal Druckrate

Piston diameter / diamètre du piston / Kolbendurchmesser

Stroke / course / Hubweg

Max stroke rate / coup par minute / max Hub pro Minute

Electric motor / moteur électrique / Elektromotor

Suction diameter / diamètre d'aspiration / Saugdurchmesser

Output diameter / diamètre de sortie / Ausgangsdurchmesser

	GP9V	GP22V
Max flow rate	140 lt/min 37 gpm	150 lt/min 40 gpm
Max pressure rate	85 bar 8,5 Mpa 1233 PSI	100 bar 10 Mpa 1450 PSI
Piston diameter	5" 127 mm	
Stroke	12" 304 mm	
Max stroke rate	39 / min - 39 spm	42 / min - 46 spm
Electric motor	9 kW	22 kW
Suction diameter	3" 76,2 mm	
Output diameter	1"1/4 31,75 mm	

DIAGRAMMA PORTATA - PRESSIONE
PRESSURE-FLOW RATE DIAGRAM

PORTATA - FLOW RATE
(gpm)

GP9V

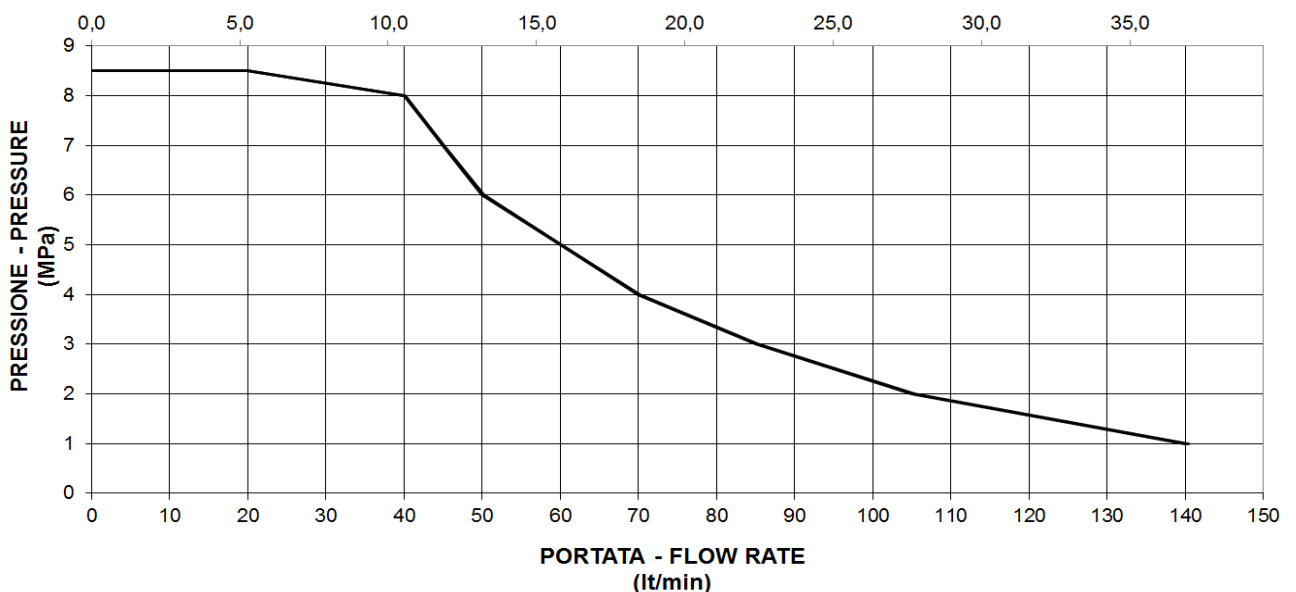
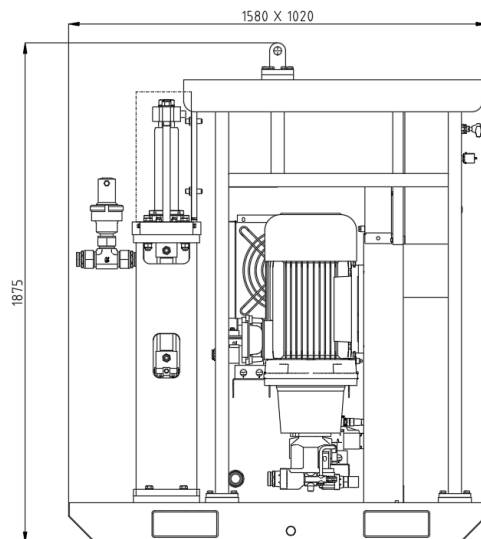
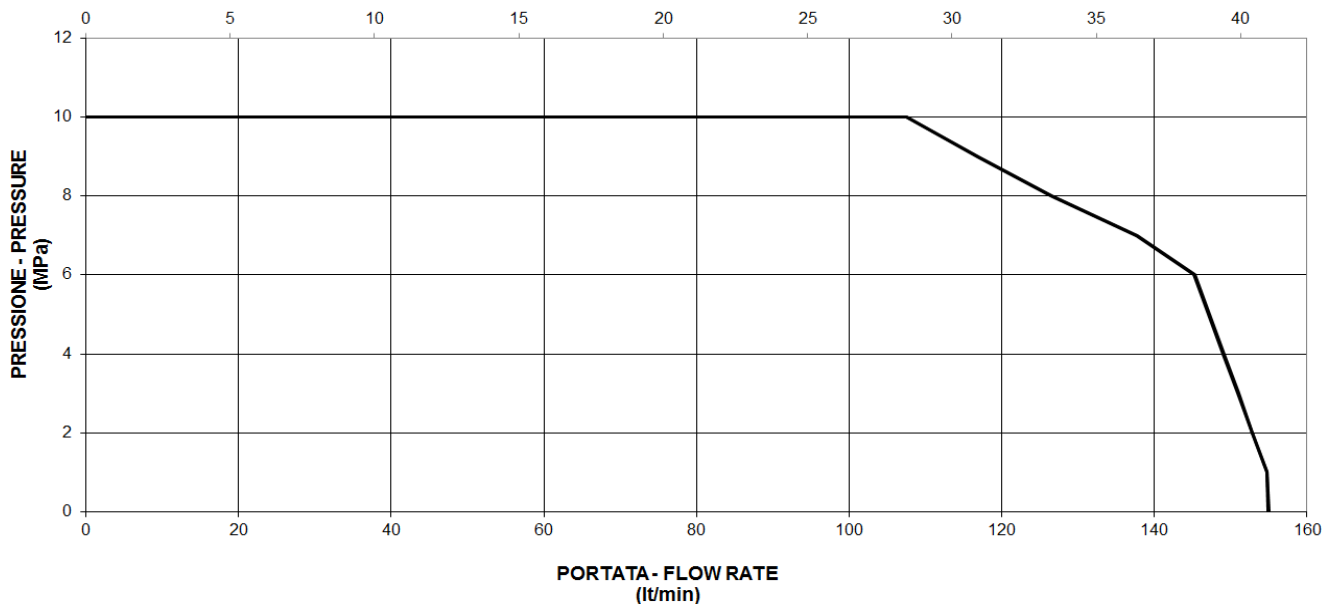


DIAGRAMMA PORTATA - PRESSIONE
PRESSURE-FLOW RATE DIAGRAM

PORTATA - FLOW RATE
(gpm)

GP22V



LCD Control panel (optional)
with recording system and preset volume / pressure
injection control



Productivity and Reliability with full Safety compliance.



JET-GROUTING, GROUTING AND DRILLING EQUIPMENT

Via 1° Maggio, 61 – 29027 Podenzano (PC) – Italy – Tel. + 39 0523 524086
e-mail: info@tecniwell.com – www.tecniwell.it

All technical data are purely indicative and subject to change without notice