

PERFORAZIONE  
DRILLING



DEMOLIZIONE  
DEMOLITION

# **EX** **RAGNO** EXCAVATOR ATTACHMENT DRILL

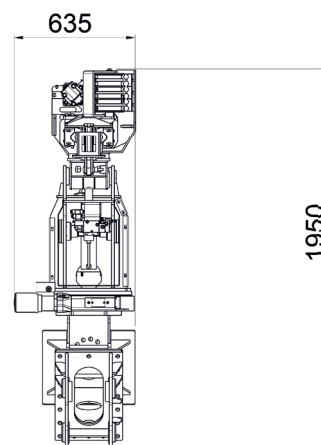
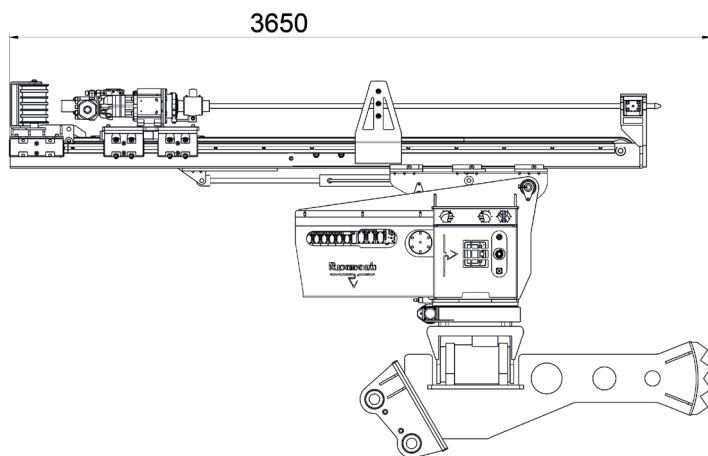
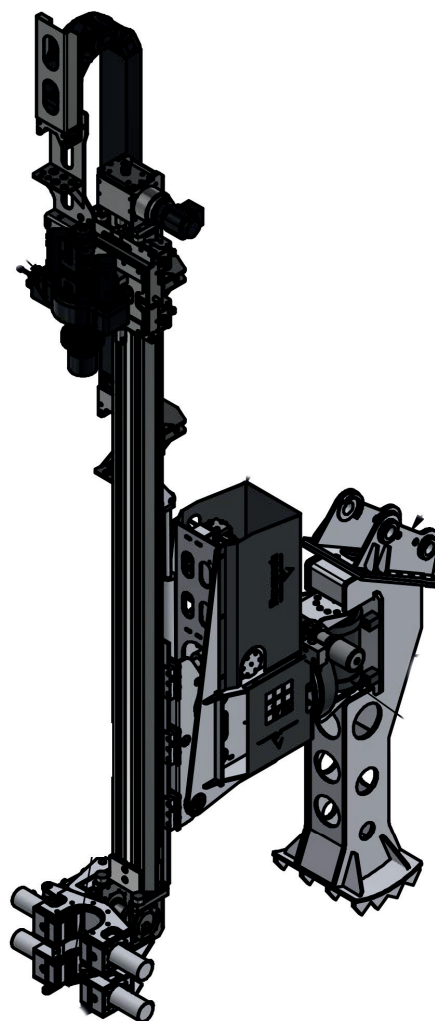
**EXRAGNO** È UN KIT DI PERFORAZIONE PREDISPOSTO ALL'UTILIZZO DI PERFORATRICI A ROTO PERCUSSIONE ESTERNA E TESTE DI ROTAZIONE, PROGETTATO PER ESSERE MONTATO SU RAGNI DI PICCOLA, MEDIA E GRANDE PORTATA. UTILIZZANDO DIVERSE COLONNE DI PERFORAZIONE SONO DISPONIBILI IN VARIE VERSIONI PER POTER RISPONDERE ALLE VOSTRE ESIGENZE DI CANTIERE

**EXRAGNO** IS A DRILLING KIT DESIGNED TO USE TOP HAMMER AND ROTARY HEADS, DESIGNED TO BE MOUNTED ON SMALL, MEDIUM AND BIG SIZE WALKING EXCAVATOR. DUE TO DIFFERENT CHOICES OF DRILL MAST THEY ARE AVAILABLE IN VARIOUS VERSIONS



## TECHNICAL SPECIFICATIONS (STANDARD VERSION)

Excavator size	> 9 ton	
Drill mast	Speedy Drill 250	S170 Piston feed
Stroke	Standard 2300 mm / 2800 mm	
Pull back / down	1500 kg	2000kg/1500kg
Base frame and Kinematic	Include plate to attach to your excavator with <ul style="list-style-type: none"> <li>• single slew for mast rotation (180° +180°)</li> <li>• extra slew mounted at 90° than first one to allow every drilling direction</li> <li>• Back feed 500mm</li> <li>• Extra piston for mast inclination (+5/-15°)</li> <li>• Side hose chain In line hose reel</li> </ul>	
Hydraulics	7 proportional valves (rotation/ percussion/ feed/ slew1/ slew 2/ back feed/ inclination)	
Controls	Radio remote control and 5" LCD screen for diagnostic and setting	
Data log	On request	
<b>ROTARY HEAD AND DRIFTERS</b>		
Rotary head	RP200, RP280, RP500	
Rock Drill	DOOFOR 530, 538, 550	
Anchor Drill	EURODRILL 1001, 1002, 2002, 2004	
<b>ACCESORIES</b>		
Hydraulic centrizer for R25/R32/T38		
Hydraulic centr + clamps R25,R32,T38		
Single clamp 25/90 55/152		
Clamping and Breaking device 25/90 55/152		
Dust collector / Compressor (if oil flow available)		
Slidramatic system for lateral head feed		
Hydraulic winch including pulley on top of mast and ext 500		
Hydraulic actuator for proportional air valve opening		
Hydraulic water pump		
Lubricator venturi type		
Safety guard (basic version)		
Safety guard (hydraulic version)		



Ripamonti continuously improves its products and so reserves the right to modify technical data if necessary without prior notice.