

PERFORAZIONE
DRILLING



DEMOLIZIONE
DEMOLITION

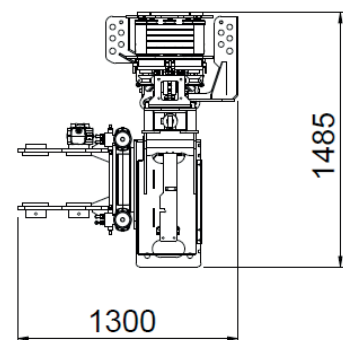
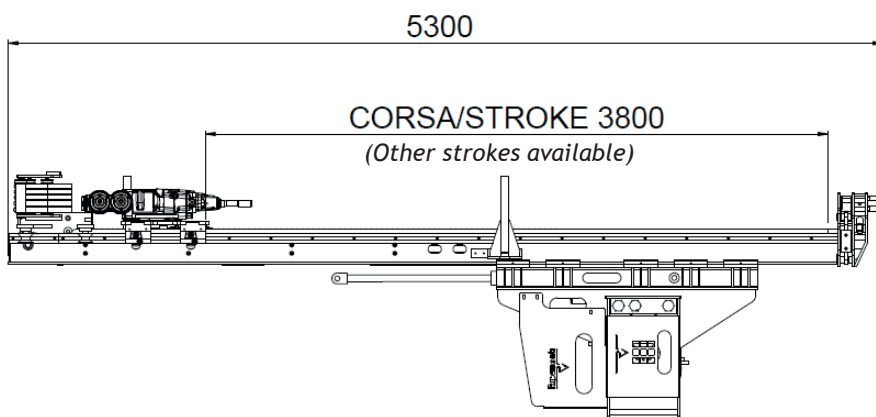
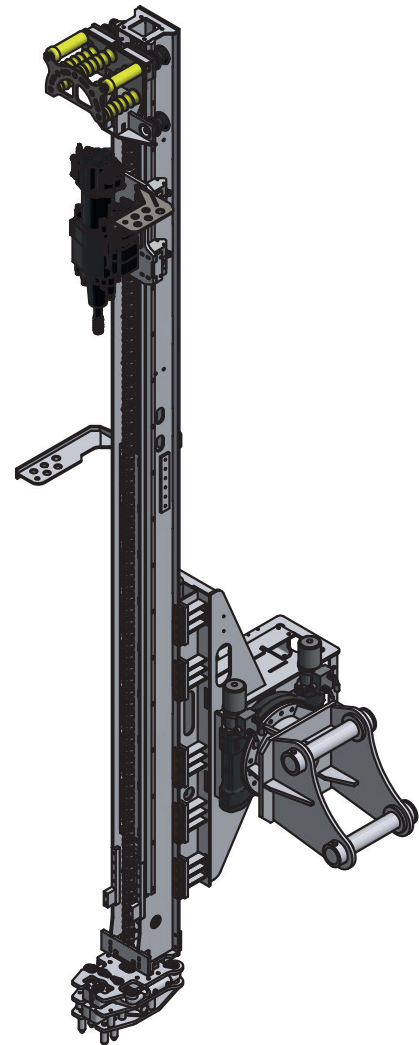
EX230TH EXCAVATOR ATTACHMENT DRILL

EX230TH È UN KIT DI PERFORAZIONE PROGETTATO PER UTILIZZO DI PERFORATRICI A ROTO PERCUSSIONE ESTERNA, MONTATE SUL NOSTRO PROFILO IN ACCIAIO S230, CON AVANZAMENTO A PISTONE E TENDI TUBI IN LINEA, SVILUPPATO PER ESSERE APPLICATO SU ESCAVATORI DI MEDIA/GROSSA PORTATA (>13 TON). I KIT, ESTREMAMENTE VERSATILI E COMPATTI, SONO DISPONIBILI IN VARIE VERSIONI PER POTER RISPONDERE ALLE VOSTRE ESIGENZE DI CANTIERE

EX230TH IS A DRILLING KIT DESIGNED FOR USE OF TOP HAMMER DRIFTER, MOUNTED ON OUR S230 STEEL PROFILE, WITH PISTON FEED AND IN-LINE HOSE REEL, DEVELOPED TO BE MOUNTED ON MID / BIG SIZE EXCAVATORS (>13 TON). EXTREMELY LIGHT AND COMPACT, THEY ARE AVAILABLE IN VARIOUS VERSIONS



TECHNICAL SPECIFICATIONS	
Excavator size	> 13 ton
Drill mast	S230 Piston feed
Stroke	Standard 3250 mm/ 3800 mm
Pull back / down	3800 kg/2500 kg
Base frame and Kinematic	Include plate to attach to your excavator with <ul style="list-style-type: none"> •slew for mast rotation (180° +180°) •Back feed 1200 mm •.Support legs for storage
Hydraulics	7 proportional valves (rotation/ percussion/ feed/ slew/back feed, free, free)
Controls	Radio remote control and 5" LCD screen for diagnostic and setting
Data log	On request
DRIFTERS	
Rock Drill	DOOFOR 538/550 MONTABERT HC50
Anchor Drill	EURODRILL 2002/2004
Other Drifters available on request	
ACCESORIES	
<i>Extra slew mounted at 90 degree</i>	
<i>Hydraulic centrizer for R25/R32/T38</i>	
<i>Hydraulic centr + clamps R25, R32, T38</i>	
<i>Single clamp 25/90 55/152</i>	
<i>Clamping and Breaking device 25/90 55/152 mm</i>	
<i>Dust collector (if oil flow available)</i>	
<i>Compressor (if oil flow available)</i>	
<i>Shank lubrication system with air line</i>	
<i>Shank lubrication system without air line</i>	
<i>Safety guard</i>	



Ripamonti continuously improves its products and so reserves the right to modify technical data if necessary without prior notice.