

PERFORAZIONE
DRILLING



DEMOLIZIONE
DEMOLITION

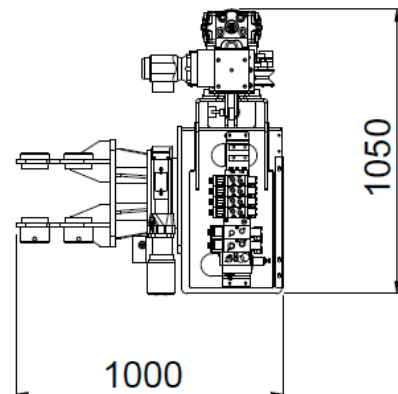
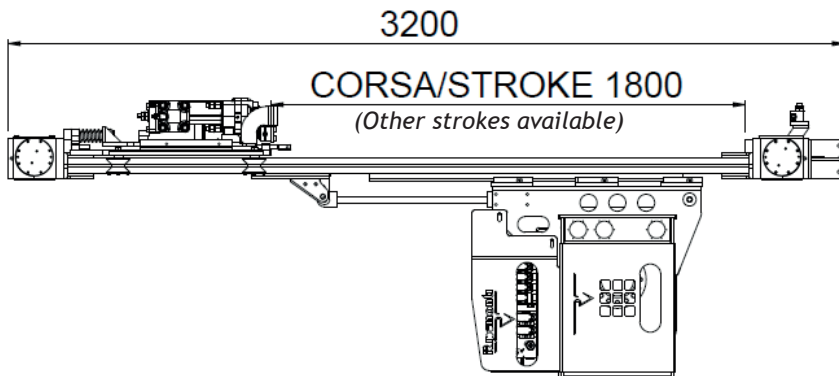
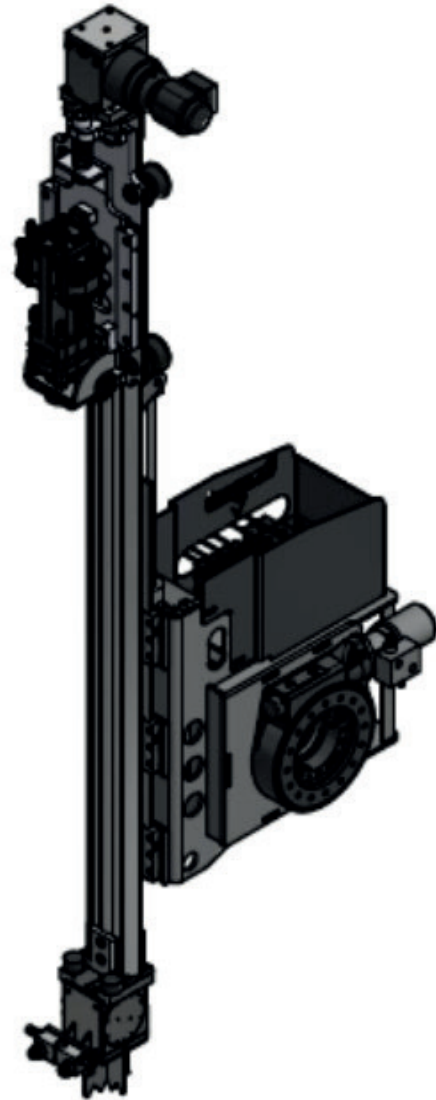
EX180TH EXCAVATOR ATTACHMENT DRILL

EX180TH È UN KIT DI PERFORAZIONE PROGETTATO PER UTILIZZO DI PERFORATRICI A ROTO PERCUSSIONE ESTERNA, MONTATE SUL NOSTRO PROFILO DI ALLUMINIO SPEEDY DRILL 180, CON AVANZAMENTO A CATENA E TENDI TUBI IN LINEA, APPOSITAMENTE SVILUPPATO PER ESSERE APPLICATO SU ESCAVATORI DI PICCOLA O MEDIA PORTATA (>7 TON). I KIT, ESTREMAMENTE LEGGERI E COMPATTI SONO DISPONIBILI IN VARIE VERSIONI PER POTER RISPONDERE ALLE VOSTRE ESIGENZE DI CANTIERE

EX180TH IS A DRILLING KIT DESIGNED FOR USE OF TOP HAMMER DRIFTERS, MOUNTED ON OUR ALUMINIUM MAST SPEEDY DRILL 180, WITH CHAIN FEED AND IN-LINE HOSE REEL, DEVELOPED TO BE MOUNTED ON SMALL SIZE EXCAVATORS (>7 TON). EXTREMELY LIGHT AND COMPACT, THEY ARE AVAILABLE IN VARIOUS VERSIONS



TECHNICAL SPECIFICATIONS	
Excavator size	> 5 ton
Drill mast	Speedy drill 180
Stroke	Standard 1800 mm/2300 mm
Pull back / down	Gear box 1500 kg.
Base frame and Kinematic	Include plate to attach to your excavator with <ul style="list-style-type: none"> •slew for mast rotation (180° +180°) •Back feed 550 mm •Support legs for storage
Hydraulics	5 proportional valves (rotation/ percussion/ feed/ slew/back feed)
Controls	Radio remote control and 5" LCD screen for diagnostic and setting
Centralizer	Manual centralizer included
Data log	On request
DRIFTERS	
Rock Drill	MR40, DOOFOR430/530
Anchor Drill	EURODRILL1001/1002 Other Drifters available on request
ACCESORIES	
Extra slew mounted at 90 degree	
Hydraulic centralizer for exagnal rod	
Hydraulic Drill steel opening	
Hydraulic centrizer for R25/R32/T38	
Hydraulic centr + clamps R25, R32, T38	
Single clamp 25/90 mm	
Clamping and Breaking device 25/90 mm	
Dust collector (if oil flow available)	
Compressor (if oil flow available)	
Shank lubrication system with air line	
Shank lubrication system without air line	
Safety guard	



Ripamonti continuously improves its products and so reserves the right to modify technical data if necessary without prior notice.